

Specification sheet LX 960

Roof drainage systems
DRAINJET® Series 49 (DJ)

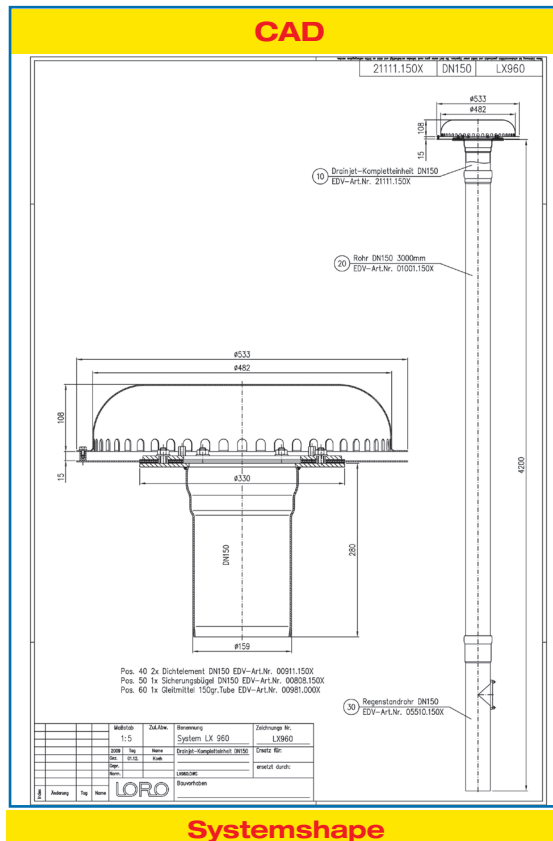
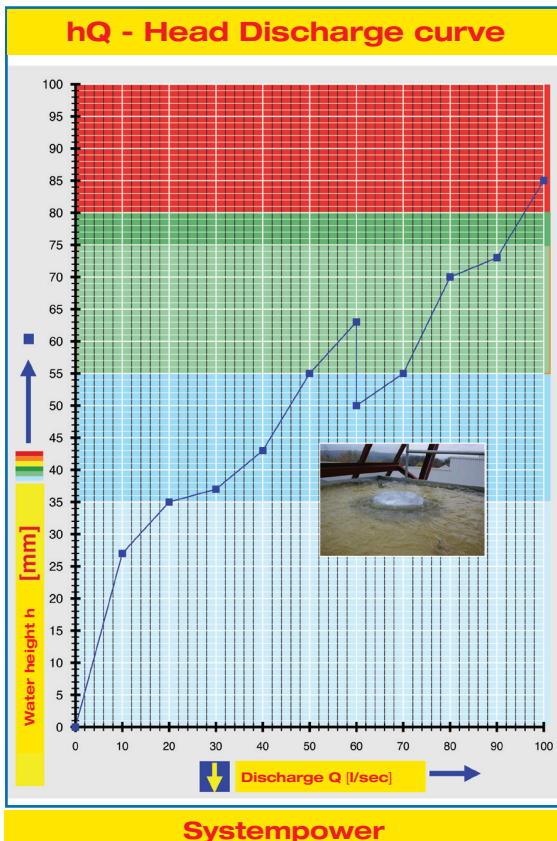
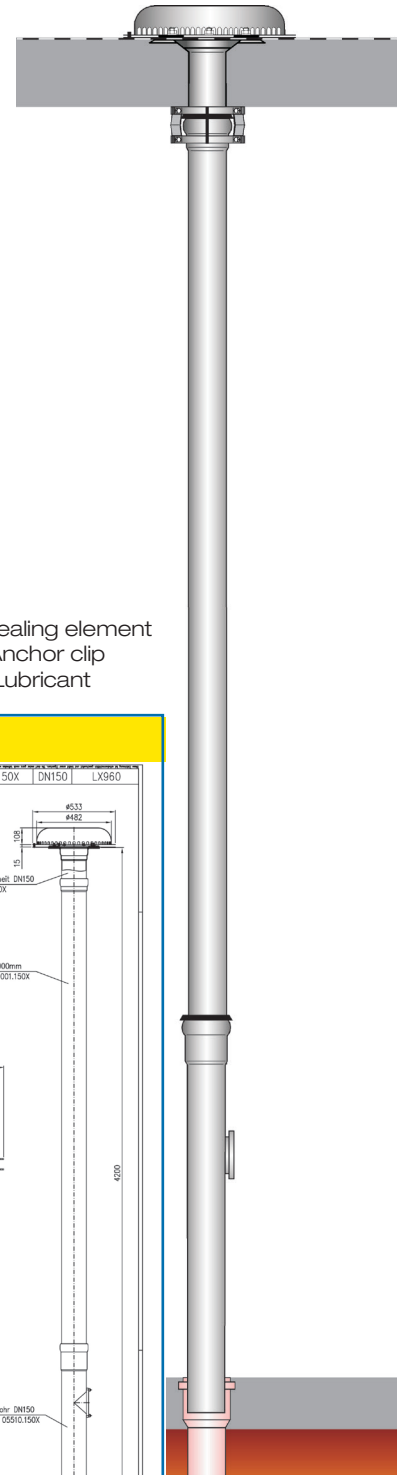
Main drainage
Siphonic flow
Silent Power

Discharge:	50 l/sec
Water height:	55 mm
Roof penetration:	-
Diameter:	DN 150
LX-Number:	LX 960
Weir height:	0 mm
Drain:	not ventilated
Downpipe:	not ventilated
Downpipe height:	ab 4,2 m
Drainage:	in sewer

LX 960 Piece list

- 1 x Art.-No. choose drain on page two!
- 1 x Art.-No. 01011.150X, LORO-X Pipe with one socket
- 1 x Art.-No. 05510.150X, LORO-X Stand pipe

- 2 x Art.-No. 00911.150X, LORO-X Sealing element
- 1 x Art.-No. 00808.150X, LORO-X Anchor clip
- 1 x Art.-No. 00986.000X, LORO-X Lubricant



Water height	mm	20	25	30	35	40	45	50	55	60	65	70	75	80	85	90
Discharge	l/sec		9,8	13,7	20	35	41,7	46	50	56	76,4	80	91,8	95,8	100	
Silent Power																

Choose drain for piece list on page one!

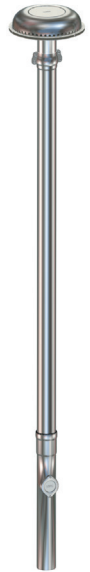
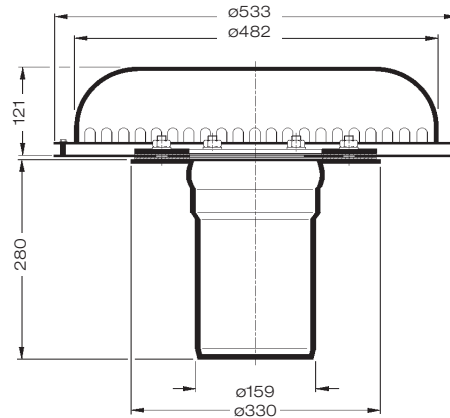
DN 150

without thermal insulation

LX960-5X

Drain Art.-No. 21111.150X

with clamping flange
one-piece
for bituminous and plastic
roofing sheets

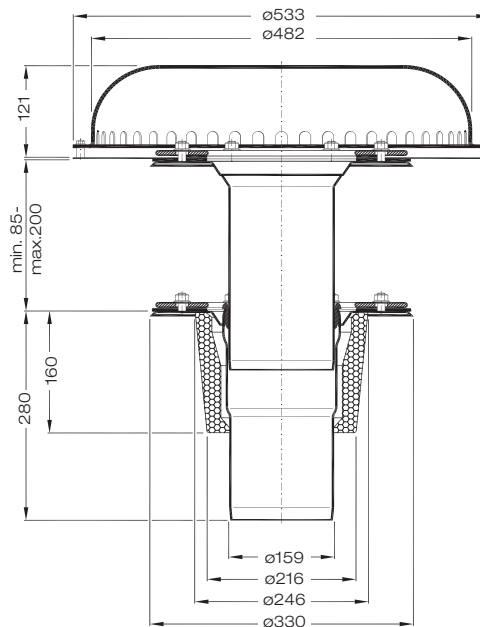


with thermal insulation

LX960-8X

Drain Art.-No. 21122.150X

with clamping flange
two-piece



Please note:

For drainage systems with siphonic flow it is vital that only LORO-X pipes and fittings in the combination as indicated are used. Mixture or exchange of system parts may result in lower discharge capacities!. The height of the downpipe must be a min. 4.2m for the indicated capacity to be obtained. If roof drain and downpipe are fitted by different crews, then do follow the system setup acc. to the LX-data sheet at www.loro-x.com

Heat tracing: Lorowerk recommends to check all drains and pipes with regard to their frost-sensibility. Where necessary, these parts should be upgraded with heat tracing.